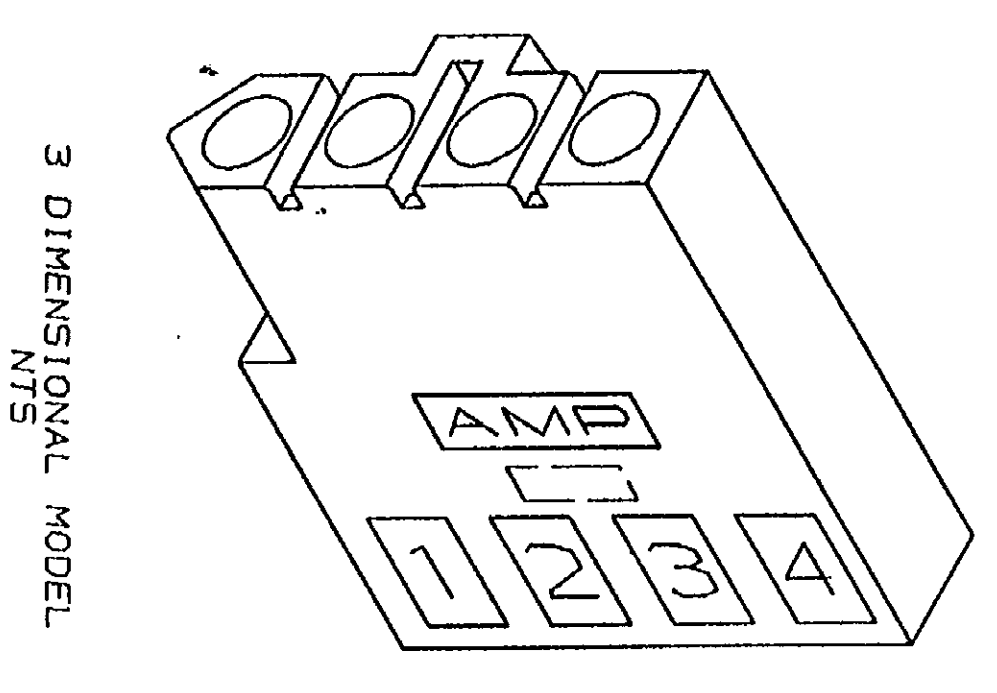
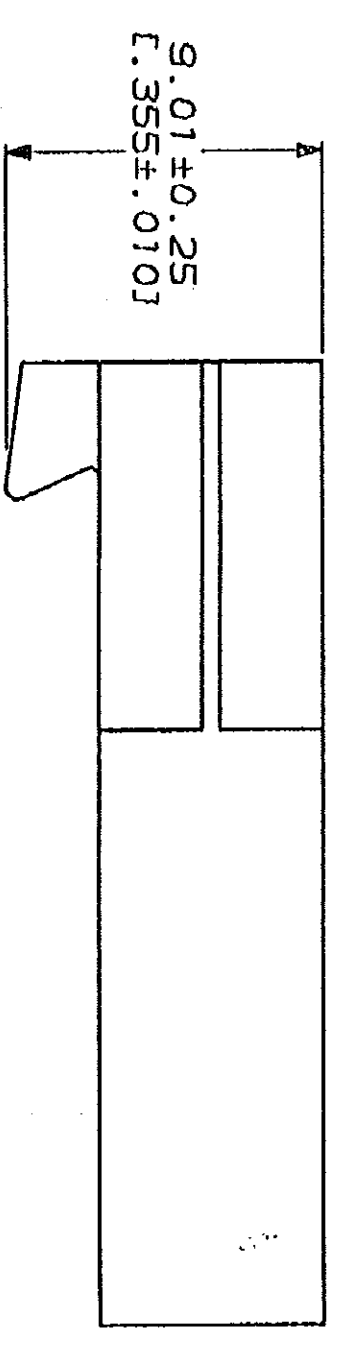
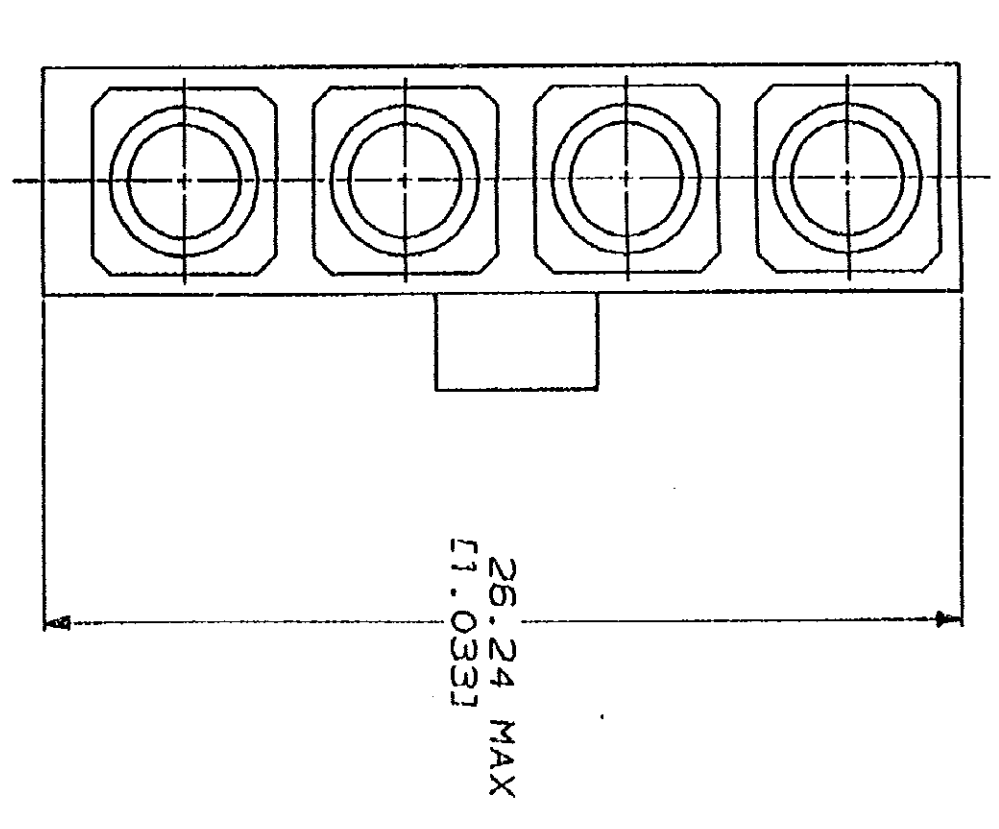
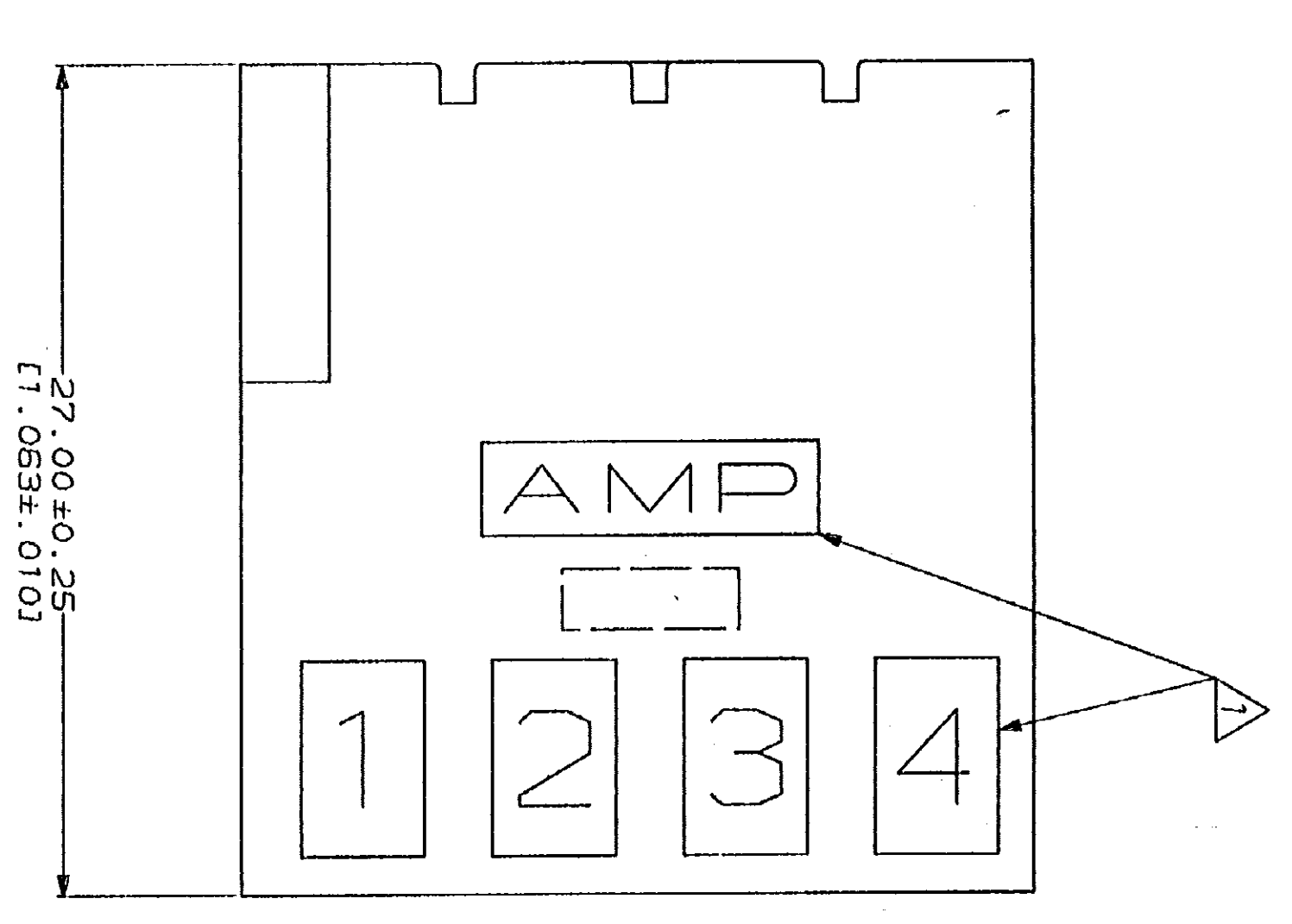
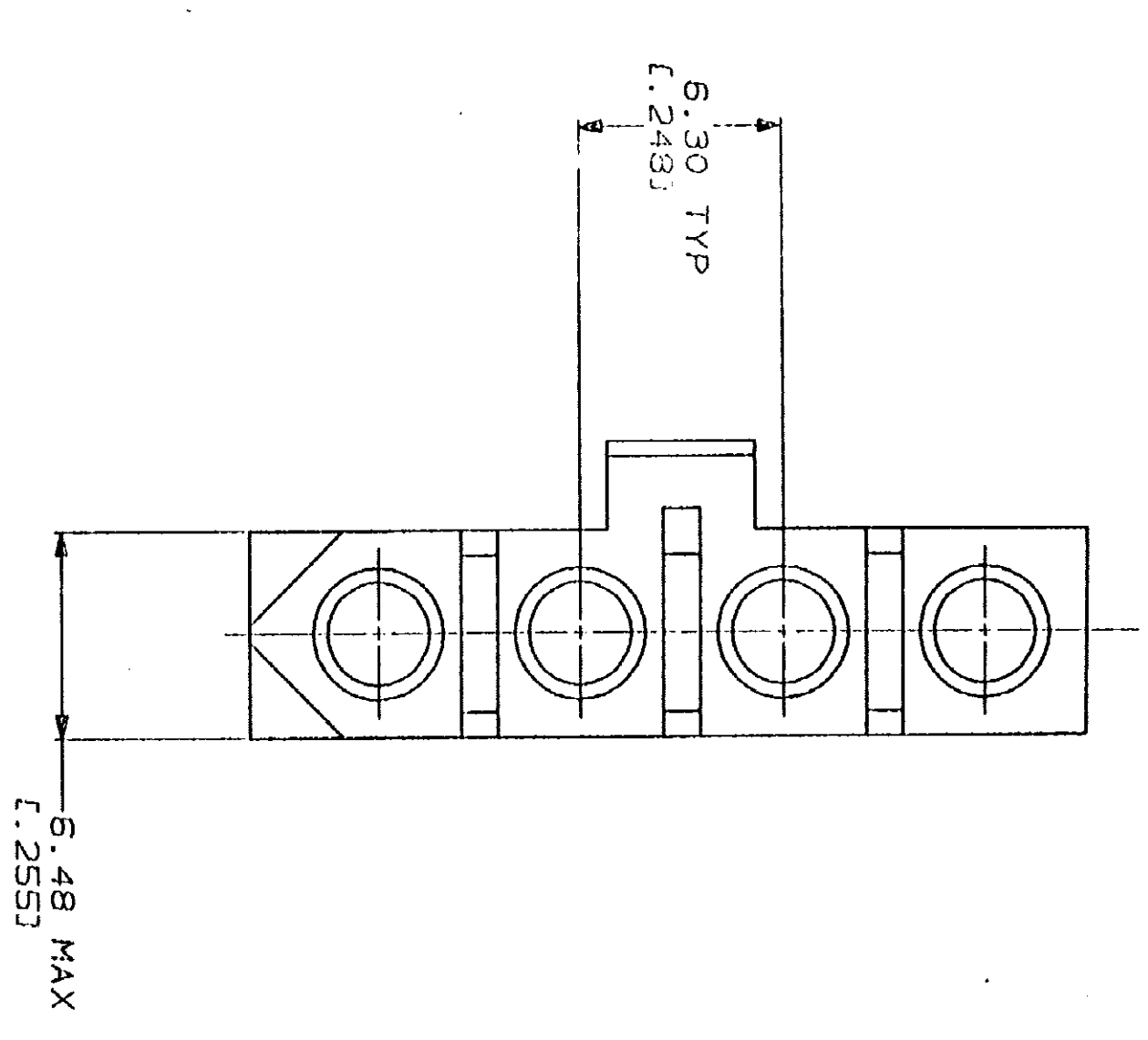


DRAWING MADE IN THIRD ANGLE PROJECTION
 THIS DRAWING IS UNLESS SPECIFIED
 © COPYRIGHT 19
 BY AMP INCORPORATED. ALL INTERNATIONAL RIGHTS RESERVED.

REV	DATE	APPD	DESCRIPTION
1	4-18-91	BS	
2			B1 REVISED PER ECM CW-3387



3 DIMENSIONAL MODEL
NTS

△ AMP LOGO AND CIRCUIT NUMBERS LOCATED IN THIS AREA,
 EITHER SIDE.
 2. DIMENSIONS IN BRACKETS ARE IN INCHES.

DO NOT SCALE PRINT. UNLESS SPECIFIED DIMENSIONS IN mm (INCHES) DIMENSIONS ON 1 3 PLG DEC # 0.13 (0.005) ANGLES # # # # # MATERIAL		DR K. WHITAKER 10-31-90	CHK R. SWINE 10-31-90	APPD C. CASH 10-31-90	PRODUCT SPEC	FINISH NYLON, UL 94V-2 NATURAL	APPLICATION SPEC	WEIGHT
NAME RECEPTACLE, POSITIVE LOCK, 4 CIRCUIT, COMMERCIAL PIN AND SOCKET		PART NO 770784-1		AMP INCORPORATED HARRISBURG, PA 17105-3508		SIZE D	CAGE CODE 00779	DRAWING NO 770784
SCALE 5:1		SHEET 1 OF 1		CUSTOMER DRAWING				

METRIC

AMP GROUP 3323 177-24 1TH DECK